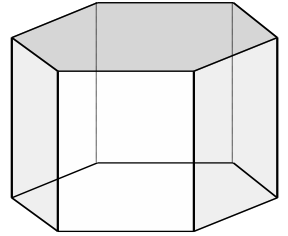
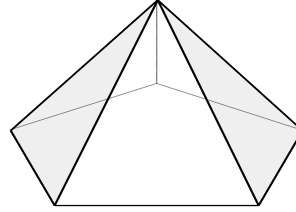
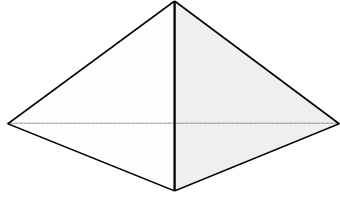
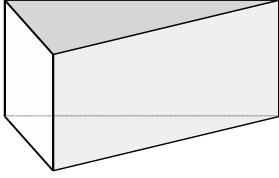


Name each figure and state how many faces, edges and vertices each figure has.



1. _____

2. _____

3. _____

4. _____

Faces _____

Faces _____

Faces _____

Faces _____

Edges _____

Edges _____

Edges _____

Edges _____

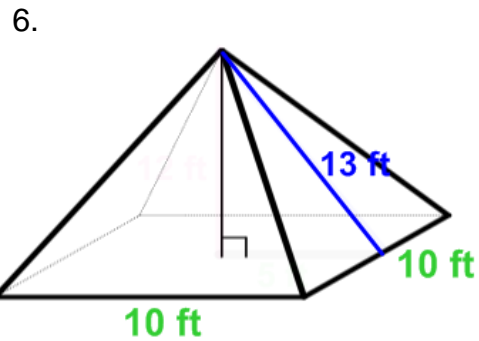
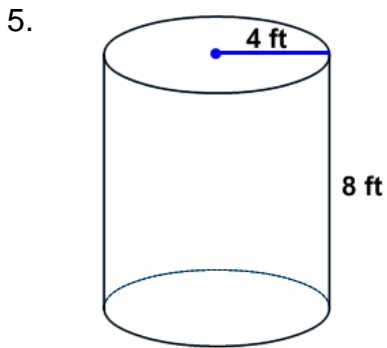
Vertices _____

Vertices _____

Vertices _____

Vertices _____

Find the surface area, lateral area, and volume for each figure. Leave your answer in π .



Surface Area = _____

Surface Area = _____

Lateral Area = _____

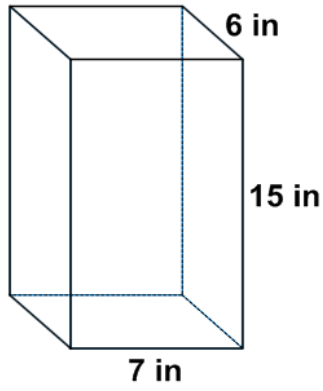
Lateral Area = _____

Volume = _____

Volume = _____

Find the surface area, lateral area, and volume for each figure. Leave your answer in π .

7.

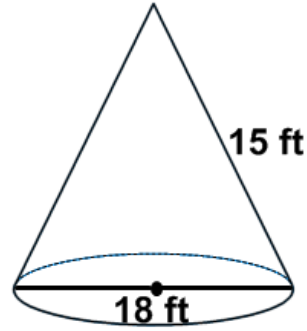


Surface Area = _____

Lateral Area = _____

Volume = _____

8.

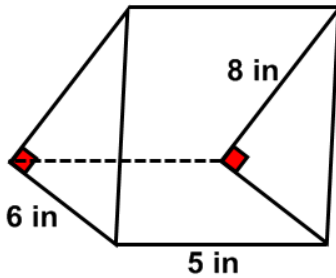


Surface Area = _____

Lateral Area = _____

Volume = _____

9.

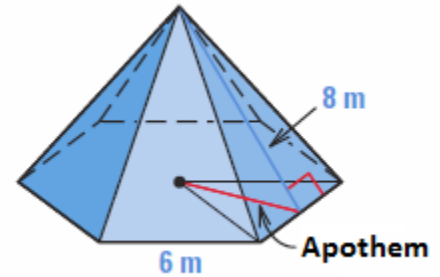


Surface Area = _____

Lateral Area = _____

Volume = _____

10.

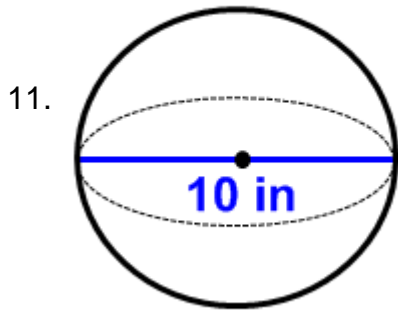


Surface Area = _____

Lateral Area = _____

Volume = _____

Find the surface area and volume for each figure. Leave your answer in π .



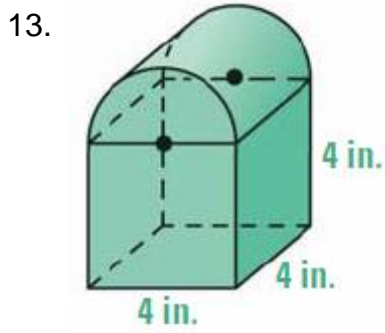
Surface Area = _____

Volume = _____



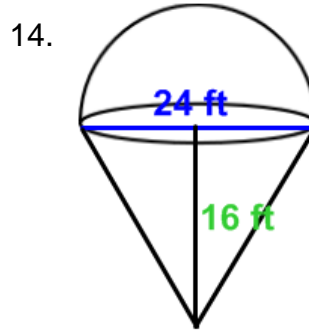
Surface Area = _____

Volume = _____



Surface Area = _____

Volume = _____



Surface Area = _____

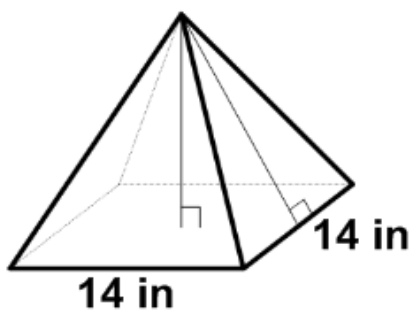
Volume = _____

15. Given a cylinder with a surface area of $140\pi \text{ ft}^2$ and a radius of 5 ft, find the height and the volume.

Height = _____

Volume = _____

-
16. Given a pyramid with a surface area of 896 in^2 , find the height, slant height, and the volume.



height = _____

slant height = _____

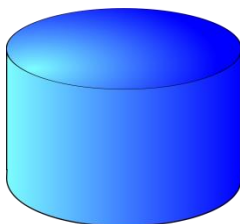
volume = _____

-
17. Given a sphere with a surface area of $256\pi \text{ ft}^2$, find the radius and the volume.

radius = _____

volume = _____

-
18. The solid is similar to a larger solid with the given scale factor. Find the surface area and volume of the larger solid.



Scale Factor 1:2
 $S.A. = 208\pi \text{ in}^2$
 $V = 320\pi \text{ in}^3$

Surface Area = _____

Volume = _____